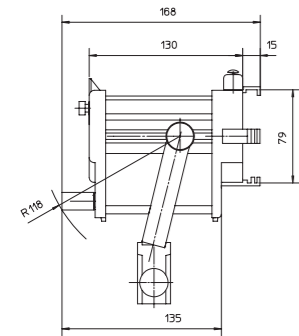
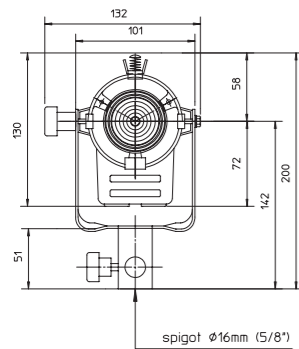


ARRI150



Technical Specifications

Models

L3.79360.B	ARRI 150 with line switch, blue/silver, 90 - 250 V AC, bare ends
L3.79360.D	ARRI 150 with line switch, blue/silver, 90 - 250 V AC, Schuko plug
L3.79360.E	ARRI 150 with line dimmer, blue/silver, 90 - 250 V AC, bare ends
L3.79360.F	ARRI 150 with line dimmer, blue/silver, 90 - 250 V AC, Schuko plug

All versions include 4-leaf barndoor and filterframe.

Accessories

L2.79380.0	4-leaf barndoor (78 mm / 3.1")
L2.79395.0	Filter Frame (78 mm / 3.1")
L2.73466.0	Set of 4 scrims (78 mm / 3.1")
L2.73466.A	Scrim, full single (78 mm / 3.1")
L2.73466.B	Scrim, full double (78 mm / 3.1")
L2.73466.C	Scrim, half single (78 mm / 3.1")
L2.73466.D	Scrim, half double (78 mm / 3.1")
L2.79390.0	Snoot (78 mm / 3.1")
L2.76975.0	Small Kit Stand (Mini) LS.1 (050KA)
L2.76965.0	Compact Stand LS.01 (050MKA)
L2.88679.0	Wheel set with brakes, Ø 75 mm / 22 mm mount (110)
L2.76985.0	ARRI Super Clamp (035)
L2.76986.0	Stud 16 mm with thread 3/8" (036-38), plugs into Superclamp 035
L2.76809.0	Safety cable (3 mm) 0,6 m, with "Kettbinder"

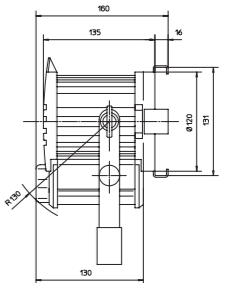
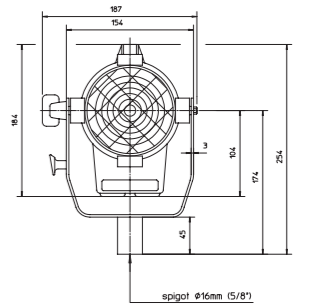
Lamps

JCS100V-150W (KOTO)

Technical Data

Lamphead Type:	Fresnel, 150 W
Reflector Type:	Spherical specular high purity aluminum
Lamp Type:	150 W / 240 V ; 150 W / 120 V ; 100 W / 240 V
Power Consumption:	150 W, 100 W
Voltage Range:	230 V / 120 V
Lamp Base:	GX6.35
Dimmability:	Yes, 0 to 100 % via external dimming system
Cable Options:	bare ends, Schuko plug
Correlated Color Temperature:	3,200 K
Beam Angle:	14° to 42°
Product Weight:	0.8 kg / 1.8 lbs
Shipping Weight:	1.6 kg / 3.5 lbs
Product Size (H x W x L):	163 x 132 x 168 mm / 6.4 x 5.2 x 6.6"
Shipping Size (H x W x L):	145 x 175 x 280 mm / 5.7 x 6.9 x 11"
Lens Diameter:	50 mm / 1.97"
Accessory Diameter:	78 mm / 3.07" (Scrim)
Barndoor:	78 mm / 3.07"
Mounting:	Socket 16 mm / 5/8" (0.63")
Protection Class / IP Rating:	I / IP20
Certifications:	CE, CB, GS, cNRTLus

ARRI300 Plus



Technical Specifications

Models

L3.79200.B	ARRI 300 Plus MAN, blue/silver, 90 - 250 V AC, bare ends
L3.79200.D	ARRI 300 Plus MAN, blue/silver, 90 - 250 V AC, Schuko plug
L3.79205.B	ARRI 300 Plus MAN, black, 90 - 250 V AC, bare ends
L3.79205.D	ARRI 300 Plus MAN, black, 90 - 250 V AC, Schuko plug

All versions include 3.5 m cable with line switch, 4-leaf barndoor and filterframe

Accessories

L2.79170.0	4-leaf barndoor (130 mm / 5.1")
L2.79190.0	Filter Frame (130 mm / 5.1")
L2.79160.0	Set of 4 scrims (130 mm / 5.1")
L2.79160.A	Scrim, full single (130 mm / 5.1")
L2.79160.B	Scrim, full double (130 mm / 5.1")
L2.79160.C	Scrim, half single (130 mm / 5.1")
L2.79160.D	Scrim, half double (130 mm / 5.1")
L2.89067.0	Speed ring circular (9640)
L2.76719.0	Chimera Lightbank Video Pro Plus "XS", incl. 3 front screens (8115)
L2.70844.0	Chimera Lightbank Video Pro Plus "S", incl. 3 front screens (8125)
L2.79180.0	Snoot (130 mm / 5.1")
L2.88020.0	Soft bag for stands or f-rolls for 6' b-frames & 51" gel roll
L2.76965.0	Compact ARRI Kit Stand LS.01 (050MKA)
L2.76976.0	Medium ARRI Kit Stand LS.2 (050A)
L2.88679.0	Wheel set with brakes, Ø 75 mm / 22 mm mount (110)
L2.76985.0	ARRI Super Clamp (035)
L2.76986.0	Stud 16 mm with thread 3/8" (036-38), plugs into Superclamp 035
L2.76809.0	Safety cable (3 mm) 0,6 m, with "Kettbinder"
L2.89203.G	Lamp 300 W / 240 V GY9,51 CP81 (GE)
L2.89203.0	Lamp 300 W / 240 V GY9,51 CP81 (Osram)

Lamps

BSR 3-32 (KOTO)

Technical Data

Lamphead Type:	Fresnel, 300 W
Reflector Type:	Spherical specular high purity aluminum
Lamp Type:	CP81 FSL 300 W / 230 V ; CP81 FKW 300 W / 120 V
Power Consumption:	300 W
Voltage Range:	230 V / 120 V
Lamp Base:	GY9.5
Dimmability:	Yes, 0 to 100 % via external dimming system
Cable Options:	bare ends, Schuko plug
Correlated Color Temperature:	3,200 K
Beam Angle:	14° to 53°
Product Weight:	1.8 kg / 4 lbs
Shipping Weight:	2.9 kg / 6.4 lbs
Product Size (H x W x L):	233 x 187 x 160 mm / 9.17 x 8.7 x 6.3"
Shipping Size (H x W x L):	275 x 190 x 240 mm / 10.8 x 7.5 x 9.5"
Lens Diameter:	80 mm / 3.15"
Accessory Diameter:	130 mm / 5.12" (Scrim)
Barndoor:	130 mm / 5.12"
Mounting:	Socket 16 mm / 5/8" (0.63")
Protection Class / IP Rating:	I / IP20
Certifications:	CE, CB, GS, cNRTLus