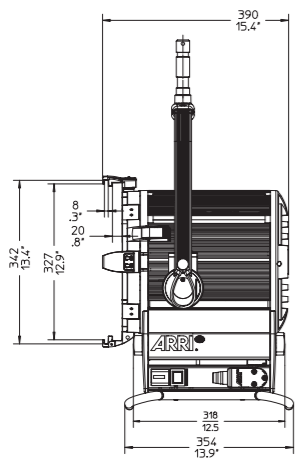
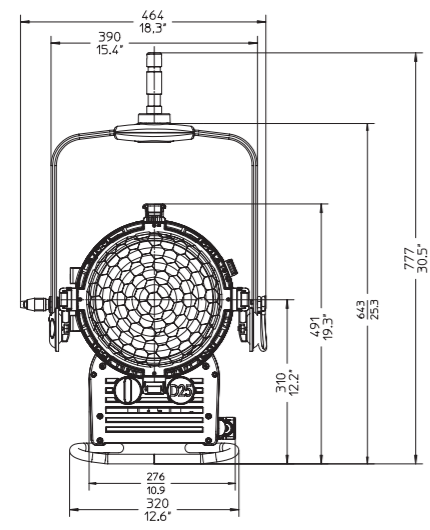


TRUE BLUE D-SERIES

DAYLIGHT



Part No.	Description
L1.33670.B	D25 2500W Daylight Fresnel Lamphead, manual, blue/silver, int. (VEAM)
L1.33675.B	D25 2500W Daylight Fresnel Lamphead, manual, black, int. (VEAM)

Electronic Ballasts*

Part No.	Description
L2.76635.0	EB 2500W, 115/230V, ALF, int. (VEAM)
L2.76640.0	EB 2.5/4kW, 230V, ALF, int. (VEAM)
L2.76675.0	EB 2.5/4kW, 115/230V, ALF, int. (VEAM)
L2.76671.0	EB 575/1200/2500/4000W, ALF, 230V, int. (VEAM)
L2.76195.0	EB 6000 Universal (2.5/4/6kW), ALF, 230V, int. (VEAM)

Conventional Ballasts*

Part No.	Description
L2.75014.E	CB 2500W, 230V, int. (VEAM)

Accessories

L2.40950.0	Four Leaf Barndoor
L2.40960.0	Eight Leaf Barndoor
L2.80970.0	Filter Frame
L2.80975.0	Variable Snoot
L2.80980.0	Set of 4 Scrims (without bag)
L2.88915.1	Scrim bag
L2.75620.0	Head to ballast cable, 2.5/4kW, 7m, int. (VEAM)
L2.75260.C	Head to ballast cable, 2.5/4kW, 15m, int. (VEAM)

Lamp Type

Metal Halide	DIS 2500W/SE G38 UV-B (KOTO)
--------------	------------------------------

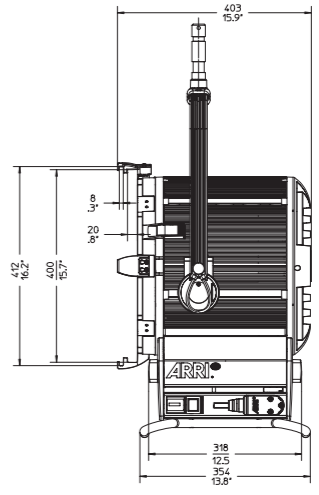
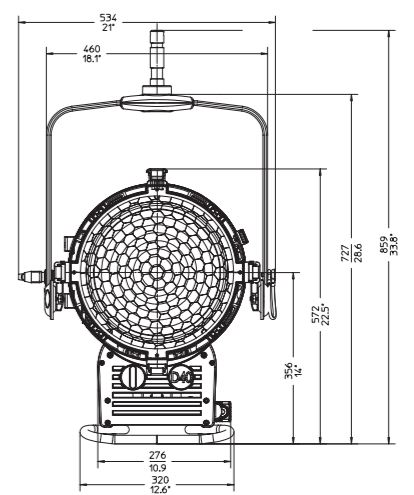
Specifications

Weight	14.5kg
Lens Diameter	250mm (10") low expansion borosilicate Fresnel lens
Reflector	Spherical specular high purity aluminium
Mounting	28mm (1 1/8")
Protection Class	IP23
Certification	NRTL-US-C, CE, TÜV GS, CB
Packed size	550x510x690mm
Packed weight	17.2kg

Photometric Data

Throw (m):		12	16	20
Spot:	Output (lux)	11269	6339	4057
6°	Diameter (m)	1.3	1.7	2.1
Medium:	Output (lux)	1924	1082	693
30°	Diameter (m)	6.4	8.6	10.7
Flood:	Output (lux)	852	479	307
59°	Diameter (m)	13.6	18.1	22.6

1000 lux gives correct exposure for 200ASA film with aperture T4 at 24fps
 For light output at any distance visit arri.com and click on photometric calculator
 *German TV standard Schaltbau connector versions also available



Part No.	Description
L1.34000.B	D40 4000W Daylight Fresnel Lamphead, manual, blue/silver, int. (VEAM)
L1.34005.B	D40 4000W Daylight Fresnel Lamphead, manual, black, int. (VEAM)

Electronic Ballasts*

Part No.	Description
L2.76640.0	EB 2.5/4kW, 230V, ALF, int. (VEAM)
L2.76675.0	EB 2.5/4kW, 115/230V, ALF, int. (VEAM)
L2.76671.0	EB 575/1200/2500/4000W, ALF, 230V, int. (VEAM)
L2.76195.0	EB 6000 Universal (2.5/4/6kW), ALF, 230V, int. (VEAM)

Conventional Ballasts*

Part No.	Description
L2.75870.E	CB 4000W, 230V, int. (VEAM)

Accessories

L2.41200.0	Four Leaf Barndoor
L2.41210.0	Eight Leaf Barndoor
L2.81220.0	Filter Frame
L2.81225.0	Variable Snoot
L2.81230.0	Set of 4 Scrims (without bag)
L2.88916.1	Scrim bag
L2.75620.0	Head to ballast cable, 2.5/4 kW, 7m, int. (VEAM)
L2.75260.C	Head to ballast cable, 2.5/4 kW, 15m, int. (VEAM)

Lamp Type

Metal Halide	DIS 4000W/SE G38 UV-B (KOTO)
--------------	------------------------------

Specifications

Weight	17.7kg
Lens Diameter	300mm (11.8") low expansion borosilicate Fresnel lens
Reflector	Spherical specular high purity aluminium
Mounting	28mm (1 1/8")
Protection Class	IP23
Certification	NRTL-US-C, CE, TÜV GS, CB
Packed size	600x600x770mm
Packed weight	20.9kg

Photometric Data

Throw (m):		16	20	24
Spot:	Output (lux)	7717	4939	3430
6.5°	Diameter (m)	1.8	2.3	2.7
Medium:	Output (lux)	1766	1130	785
30°	Diameter (m)	8.6	10.7	12.9
Flood:	Output (lux)	760	486	338
61°	Diameter (m)	18.8	23.6	28.3

1000 lux gives correct exposure for 200ASA film with aperture T4 at 24fps
 For light output at any distance visit arri.com and click on photometric calculator
 *German TV standard Schaltbau connector versions also available

DAYLIGHT