

TRUE BLUE D-SERIES

DAYLIGHT



Part No.	Description
L1.33770.B	D5 575W Daylight Fresnel Lamphead, manual, blue/silver, int. (VEAM)
L1.33775.B	D5 575W Daylight Fresnel Lamphead, manual, black, int. (VEAM)

Electronic Ballasts*

Part No.	Description
L2.76125.0	EB 575/1200W, 115/230V, int. (VEAM)
L2.76260.0	EB 400/575W, ALF, 115/230V, int. (VEAM)
L2.76425.0	EB 575/1200W,ALF, 115/230V, int. (VEAM)
L2.76230.0	AC/DC EB 575/1200W, 115/230V AC, 24/48-60V DC int. (VEAM)
L2.76671.0	EB 575/1200/2500/4000W, ALF, 230V, int. (VEAM)

Conventional Ballasts*

Part No.	Description
L2.75010.E	CB 575W, 230V, int. (VEAM)

Accessories

L2.39670.0	Four Leaf Barndoor
L2.39700.0	Eight Leaf Barndoor
L2.79690.0	Filter Frame
L2.79680.0	Variable Snoot
L2.79660.0	Set of 4 Scrims (without bag)
L2.88913.1	Scrim bag
L2.75600.0	Head to ballast cable, 575/1200W, 7m, int. (VEAM)
L2.75600.C	Head to ballast cable, 575/1200W, 15m, int. (VEAM)

Lamp Type

Metal Halide	DIS 600W/SE G22 UV-B (KOTO)
--------------	-----------------------------

Specifications

Weight	5.9kg
Lens Diameter	150mm (5.9") low expansion borosilicate Fresnel lens
Reflector	Spherical specular high purity aluminium
Mounting	Combination mount for 16mm (5/8") or 28mm (1 1/8")
Protection Class	IP23
Certification	NRTL-US-C, CE, TÜV GS, CB
Packed size	390x390x360mm
Packed weight	7.5kg

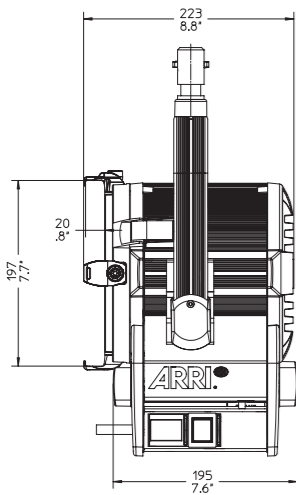
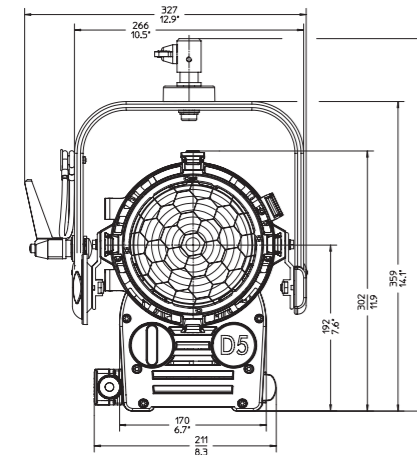
Photometric Data

Throw (m):		6	8	12
Spot:	Output (lux)	8931	5023	2233
	6° Diameter (m)	0.6	0.8	1.3
Medium:	Output (lux)	1925	1083	481
	30° Diameter (m)	3.2	4.2	6.3
Flood:	Output (lux)	804	452	201
	56° Diameter (m)	6.3	8.4	12.6

1000 lux gives correct exposure for 200ASA film with aperture T4 at 24fps

For light output at any distance visit arri.com and click on photometric calculator

*German TV standard Schaltbau connector versions also available



DAYLIGHT



Part No.	Description
L1.33730.B	D12 1200W Daylight Fresnel Lamphead, manual, blue/silver, int. (VEAM)
L1.33735.B	D12 1200W Daylight Fresnel Lamphead, manual, black, int. (VEAM)

Electronic Ballasts*

Part No.	Description
L2.76125.0	EB 575/1200W, 115/230V, int. (VEAM)
L2.76425.0	EB 575/1200W,ALF, 115/230V, int. (VEAM)
L2.76230.0	AC/DC EB 575/1200W, 115/230V AC, 24/48-60V DC int. (VEAM)
L2.76625.0	EB 1200/1800, ALF, 115/230 V, int. (VEAM)
L2.76626.0	EB 1200/1800, ALF, 115/230 V, int. (VEAM), DMX
L2.76626.A	EB 1200/1800, ALF, 115/230 V, int. (VEAM), DMX, USA - Version.
L2.76671.0	EB 575/1200/2500/4000W, ALF, 230V, int. (VEAM)

Conventional Ballasts*

Part No.	Description
L2.75012.E	CB 1200W, 230V, int. (VEAM)

Accessories

L2.39870.0	Four Leaf Barndoor
L2.39900.0	Eight Leaf Barndoor
L2.79890.0	Filter Frame
L2.79880.0	Variable Snoot
L2.79860.0	Set of 4 Scrims (without bag)
L2.88914.1	Scrim bag
L2.75600.0	Head to ballast cable, 575/1200W, 7m, int. (VEAM)
L2.75600.C	Head to ballast cable, 575/1200W, 15m, int. (VEAM)

Lamp Type

Metal Halide	DIS 1200W/SE G38 UV-B (KOTO)
--------------	------------------------------

Specifications

Weight	9.9kg
Lens Diameter	175mm (6.9") low expansion borosilicate Fresnel lens
Reflector	Spherical specular high purity aluminium
Mounting	28mm (1 1/8")
Protection Class	IP23
Certification	NRTL-US-C, CE, TÜV GS, CB
Packed size	460x400x650mm
Packed weight	12.3kg

Photometric Data

Throw (m):		8	12	16
Spot:	Output (lux)	9246	4109	2312
	7.5° Diameter (m)	1.0	1.6	2.1
Medium:	Output (lux)	2154	957	538
	30° Diameter (m)	4.2	6.3	8.4
Flood:	Output (lux)	1092	485	273
	50° Diameter (m)	7.5	11.2	14.9

1000 lux gives correct exposure for 200ASA film with aperture T4 at 24fps

For light output at any distance visit arri.com and click on photometric calculator

*German TV standard Schaltbau connector versions also available

