

P3X Spot Light (Clamp)

90W LED / 60°

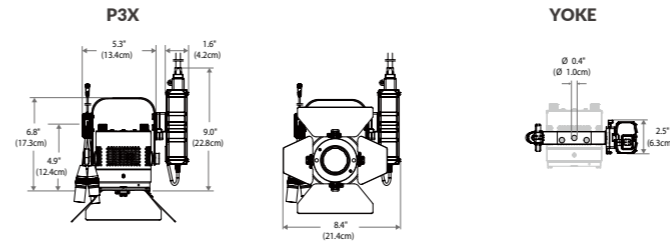


- ・高レベルのクオリティ
- ・点光源LED
- ・DMX制御可能
- ・90W出力
- ・コンパクト
(吊下げ状態で20cm以下)

SPECIFICATIONS

Beam Angle	60°
CRI	95 typical (in CCT Mode)
TLCI	90 typical (in CCT Mode)
Dimming	100% - 0% flicker free
Power Draw	90W max
AC Input	100 - 240V AC, 50 - 60Hz
Remote Control	DMX 512
Cooling	Fan Cooled
Acoustic Noise	23dB
Operating Temp.	32 - 104°F (0 - 40°C)
Fixture Weight with PSV	3.5lb (~1.6kg)
Fixture Weight	2.4lb (~1.1kg)

MECHANICAL FIGURES

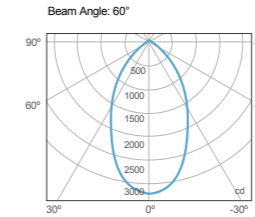


OPTIONAL ACCESSORIES



PHOTOMETRIC DATA

P3X	60°	Distance	3'	10'	15'	
			(-0.9m)	(-3.0 m)	(-4.6m)	
@3200K			fc	345	36	20
			lux	3713	387	217
@5600K			fc	356	37	21
			lux	3836	400	225
Beam Diameter			Ø 2.7'	Ø 9.3'	Ø 13.9'	
			(-0.8m)	(-2.8m)	(-4.2m)	



P3S Spot Light (Clamp)

90W LED / 20°

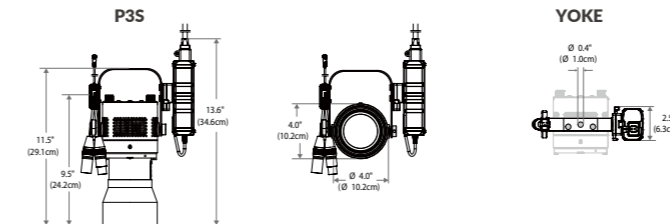


- ・高レベルのクオリティ
- ・点光源LED
- ・DMX制御可能
- ・90W出力
- ・コンパクト
(吊下げ状態で20cm以下)

SPECIFICATIONS

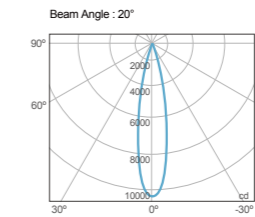
Beam Angle	20°
CRI	95 typical (in CCT Mode)
TLCI	90 typical (in CCT Mode)
Dimming	100% - 0% flicker free
Power Draw	90W max
AC Input	100 - 240V AC, 50 - 60Hz
Remote Control	DMX 512
Cooling	Fan Cooled
Acoustic Noise	23dB
Operating Temp.	32 - 104°F (0 - 40°C)
Fixture Weight with PSV	3.6lb (~1.7kg)
Fixture Weight	2.5lb (~1.2kg)

MECHANICAL FIGURES



PHOTOMETRIC DATA

P3S	20°	Distance	3'	10'	15'	
			(-0.9m)	(-3.0 m)	(-4.6m)	
@3200K			fc	1267	106	53
			lux	13635	1142	576
@5600K			fc	1309	110	55
			lux	14089	1180	595
Beam Diameter			Ø 1.0'	Ø 3.5'	Ø 5.3'	
			(-0.3m)	(-1.1m)	(-1.6m)	



P3F Fresnel Light (Clamp)

90W LED / 15°-45°

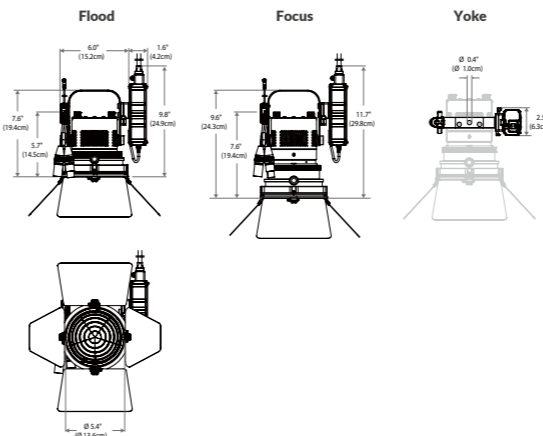


- ・高レベルのクオリティ
- ・点光源LED
- ・DMX制御可能
- ・90W出力
- ・コンパクト
(吊下げ状態で20cm以下)

SPECIFICATIONS

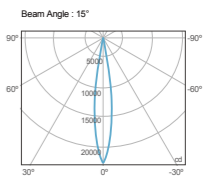
Beam Angle	15-45°
CRI	95 typical (in CCT Mode)
TLCI	90 typical (in CCT Mode)
Dimming	100% - 0% flicker free
Power Draw	90W max
AC Input	100 - 240V AC, 50 - 60Hz
Remote Control	DMX 512
Cooling	Fan Cooled
Acoustic Noise	23dB
Operating Temp.	32 - 104°F (0 - 40°C)
Fixture Weight with PSV	4.4lb (~2kg)
Fixture Weight	3.3lb (~1.5kg)

MECHANICAL FIGURES

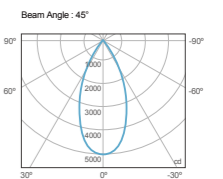


PHOTOMETRIC DATA

Focus	15°	Distance	3'	10'	15'	
			(-0.9 m)	(-3.0 m)	(-4.6m)	
@3200K			fc	2522	237	119
			lux	27151	2551	1280
@5600K			fc	2606	245	123
			lux	28055	2636	1323
Beam Diameter			Ø 0.8'	Ø 2.7'	Ø 4.0'	
			(-0.2m)	(-0.8m)	(-1.2m)	



Flood	45°	Distance	3'	10'	15'	
			(-0.9 m)	(-3.0 m)	(-4.6m)	
@3200K			fc	529	53	30
			lux	5692	570	318
@5600K			fc	564	55	31
			lux	6071	589	329
Beam Diameter			Ø 2.3'	Ø 7.5'	Ø 11.3'	
			(-0.7m)	(-2.3m)	(-3.4m)	



※色はブラック/ホワイトよりお選びいただけます。

P3X Spot Light (Track)

90W LED / 60°

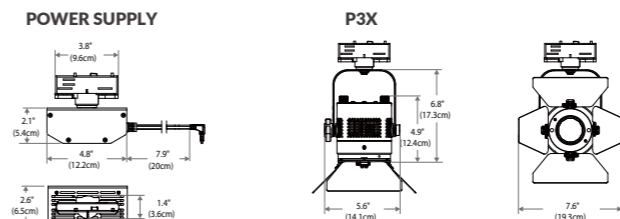


- ・ 高レベルのクオリティ
- ・ 点光源LED
- ・ DMX制御可能
- ・ 90W出力
- ・ コンパクト
(吊下げ状態で20cm以下)

SPECIFICATIONS

Beam Angle	60°
CRI	95 typical (in CCT Mode)
TLCI	90 typical (in CCT Mode)
Dimming	100% - 0% flicker free
Power Draw	90W max
AC Input	100 - 240V AC, 50 - 60Hz
Remote Control	DMX 512
Cooling	Fan Cooled
Acoustic Noise	23dB
Operating Temp.	32 - 104°F (0 - 40°C)
Fixture Weight	2.3lb (-1.0kg)
Power Supply Weight	1.0lb (-0.5kg)

MECHANICAL FIGURES

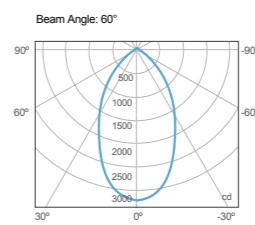


OPTIONAL ACCESSORIES



PHOTOMETRIC DATA

P3X 60°	Distance	3' (-0.9m)	10' (-3.0 m)	15' (-4.6m)
	@3200K	fc 345	36	20
	lux	3713	387	217
	@5600K	fc 356	37	21
	lux	3836	400	225
	Beam Diameter	Ø 2.7' (-0.8m)	Ø 9.3' (-2.8m)	Ø 13.9' (-4.2m)



P3S Spot Light (Track)

90W LED / 20°

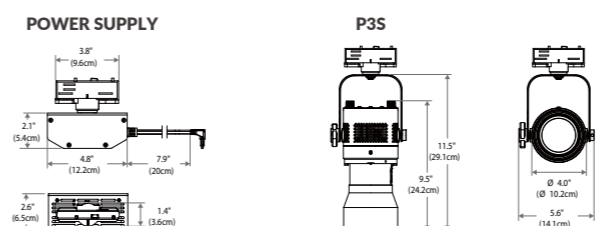


- ・ 高レベルのクオリティ
- ・ 点光源LED
- ・ DMX制御可能
- ・ 90W出力
- ・ コンパクト
(吊下げ状態で20cm以下)

SPECIFICATIONS

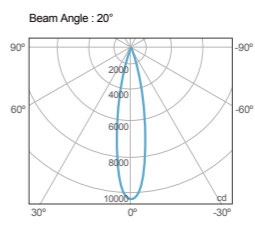
Beam Angle	20°
CRI	95 typical (in CCT Mode)
TLCI	90 typical (in CCT Mode)
Dimming	100% - 0% flicker free
Power Draw	90W max
AC Input	100 - 240V AC, 50 - 60Hz
Remote Control	DMX 512
Cooling	Fan Cooled
Acoustic Noise	23dB
Operating Temp.	32 - 104°F (0 - 40°C)
Fixture Weight	2.4lb (-1.1kg)
Power Supply Weight	1.0lb (-0.5kg)

MECHANICAL FIGURES



PHOTOMETRIC DATA

P3S 20°	Distance	3' (-0.9m)	10' (-3.0 m)	15' (-4.6m)
	@3200K	fc 1267	106	53
	lux	13635	1142	576
	@5600K	fc 1309	110	55
	lux	14089	1180	595
	Beam Diameter	Ø 1.0' (-0.3m)	Ø 3.5' (-1.1m)	Ø 5.3' (-1.6m)



P3F Fresnel Light (Track)

90W LED / 15°-45°

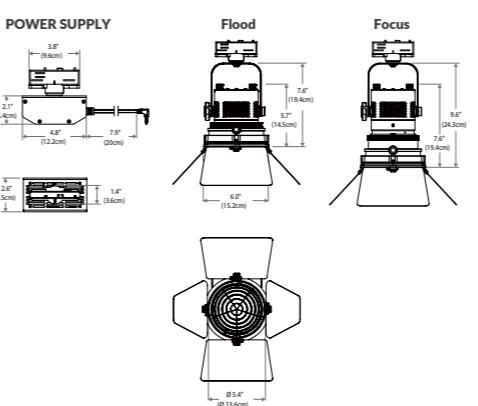


- ・ 高レベルのクオリティ
- ・ 点光源LED
- ・ DMX制御可能
- ・ 90W出力
- ・ コンパクト
(吊下げ状態で20cm以下)

SPECIFICATIONS

Beam Angle	15 - 45°
CRI	95 typical (in CCT Mode)
TLCI	90 typical (in CCT Mode)
Dimming	100% - 0% flicker free
Power Draw	90W max
AC Input	100 - 240V AC, 50 - 60Hz
Remote Control	DMX 512
Cooling	Fan Cooled
Acoustic Noise	23dB
Operating Temp.	32 - 104°F (0 - 40°C)
Fixture Weight	3.5lb (-1.6kg)
Power Supply Weight	1.0lb (-0.5kg)

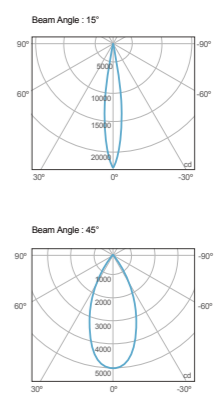
MECHANICAL FIGURES



PHOTOMETRIC DATA

Focus 15°	Distance	3' (-0.9 m)	10' (-3.0 m)	15' (-4.6m)
	@3200K	fc 2522	237	119
	lux	27151	2551	1280
	@5600K	fc 2606	245	123
	lux	28055	2636	1323
	Beam Diameter	Ø 2.3' (-0.7m)	Ø 7.5' (-2.3m)	Ø 11.3' (-3.4m)

Flood 45°	Distance	3' (-0.9 m)	10' (-3.0 m)	15' (-4.6m)
	@3200K	fc 529	53	30
	lux	5692	570	318
	@5600K	fc 564	55	31
	lux	6071	589	329
	Beam Diameter	Ø 2.3' (-0.7m)	Ø 7.5' (-2.3m)	Ø 11.3' (-3.4m)



※色はブラック/ホワイトよりお選びいただけます。
※Trackモデルの使用にはDMX対応のトラックレールが必須となります。